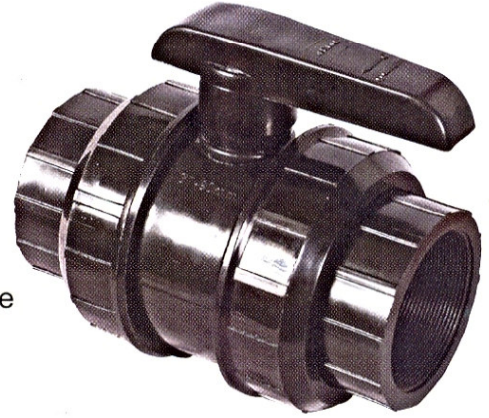


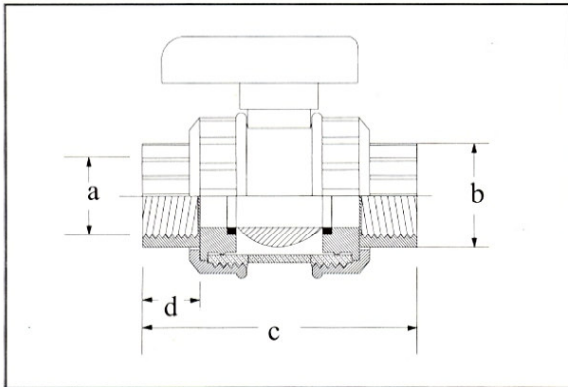
Irriline PE Ball Valve

Salient Features

- ◆ Made of Polypropylene - A 100% chemically inert material.
- ◆ Designed and manufactured for leak free smooth performance.
- ◆ Each Ball Valve is tested at 10 Kg/cm².
- ◆ The Ball Valve is ideally used for house plumbing and Irrigation purpose
- ◆ All parts are make of 100% corrosion free materials.



Dimensions



	a. mm	b. mm	c. mm	d. mm
1"	32	42	105	22
1½"	50	64	162	35
2"	63	77	180	43
2½"	75	91	198	43
3"	90	108	230	55

